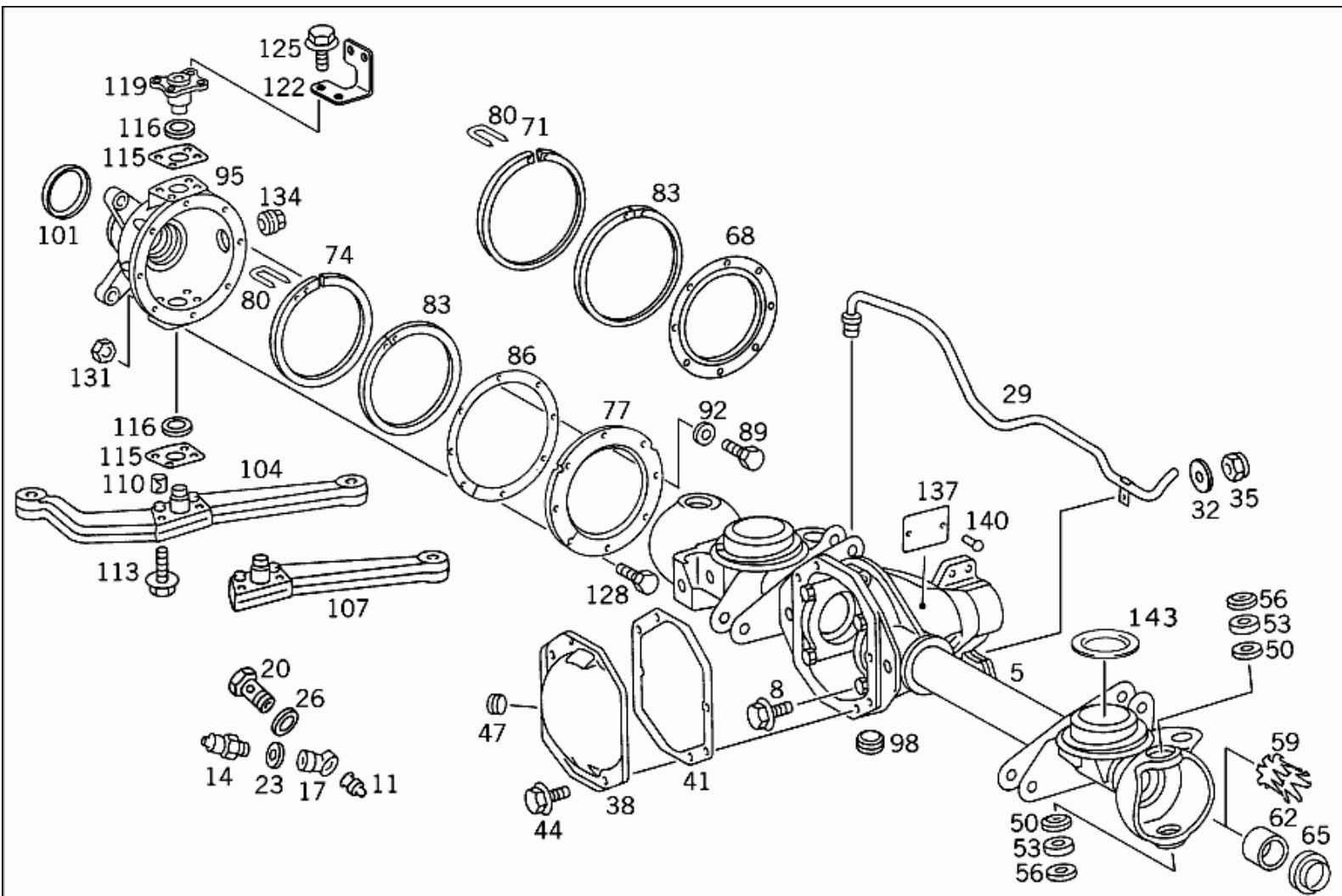


- Picture -

Mode : MD mode  
Catalog no. : 23E  
Major assembly : VA - Front Axle  
Major assembly MD : 730300 10 7031032  
Group : 33 - 730.3 FRONT AXLE GW460/461  
Subgroup : 530 - FRONT AXLE CASING

FIN/MD : WDB 46023917032479  
VIN :  
Sales designation : 230GE284  
Assortment class : Cross-country vehicle  
Market : Europe  
Picture number : B3353000003.020222



**- Parts list -**

|                     |                                 |                     |                       |
|---------------------|---------------------------------|---------------------|-----------------------|
| Mode :              | MD mode                         | FIN/MD :            | WDB 46023917032479    |
| Catalog no. :       | 23E                             | VIN :               |                       |
| Major assembly :    | VA - Front Axle                 | Sales designation : | 230GE284              |
| Major assembly MD : | 730300 10 7031032               | Assortment class :  | Cross-country vehicle |
| Group :             | 33 - 730.3 FRONT AXLE GW460/461 | Market :            | Europe                |
| Subgroup :          | 530 - FRONT AXLE CASING         |                     |                       |

| Item no. | Part number     | Designation/description   | Quantity | Version |
|----------|-----------------|---|----------|---------|
|          |                 | <b>FRONT AXLE HOUSING</b>   |          |         |
|          |                 | Replaced by: A 460 330 32 05  |          |         |
|          |                 | +001 A 460 330 23 01  |          |         |
|          |                 | +001 A 460 330 24 01  |          |         |
|          |                 | +001 A 463 330 00 21  |          |         |
| 5        | A 460 330 14 05 | +001 A 460 330 00 84  | -        | L       |
|          |                 | +002 A 460 337 00 49  |          |         |
|          |                 | +001 A 460 351 00 09  |          |         |
|          |                 | +001 A 460 351 00 80  |          |         |
|          |                 | +002 A 009 997 28 47  |          |         |
|          |                 | +004 N 000933 008145  |          |         |
|          |                 | <input type="checkbox"/> [007, 011, 025] Up to front axle: 7 001889   |          |         |
|          |                 | <b>FRONT AXLE HOUSING</b>   |          |         |
|          |                 | Replaced by: A 460 330 32 05  |          |         |
|          |                 | +001 A 460 330 23 01  |          |         |
|          |                 | +001 A 460 330 24 01  |          |         |
|          |                 | +001 A 463 330 00 21  |          |         |
| 5        | A 460 330 15 05 | +001 A 460 330 00 84  | -        | L       |
|          |                 | +001 A 460 335 02 30  |          |         |
|          |                 | +001 A 460 335 03 36  |          |         |
|          |                 | +002 A 460 337 00 49  |          |         |
|          |                 | +002 A 460 353 03 49  |          |         |
|          |                 | +002 A 009 997 28 47  |          |         |
|          |                 | <input type="checkbox"/> [007, 011, 025] Up to front axle: 7 001889   |          |         |
| 5        | A 460 330 32 05 | <b>FRONT AXLE HOUSING</b>   | -        | L       |
|          |                 | Replaced by: A 460 330 36 05  |          |         |
| 5        | A 460 330 36 05 | <b>FRONT AXLE HOUSING</b><br>WITH REAR AXLE TUBE,DIFFERENTIAL<br>LOCK | 001      | L       |
|          |                 | <input type="checkbox"/> [026] As of front axle 7 023947              |          |         |
| ----     | A 460 322 00 41 | <b>STIFFENING</b><br>AXLE HOUSING                                     | 001      |         |
| ----     | A 667 351 00 11 | <b>BEARING COVER</b><br>AXLE HOUSING                                  | 002      |         |
| 8        | N 914126 010010 | <b>SCREW</b><br>Replaced by: N 910105 010016                          | -        |         |
| 8        | N 910105 010016 | <b>SCREW</b><br>AXLE HOUSING  | 004      |         |
| 11       | A 115 350 02 90 | <b>VALVE</b><br>AXLE HOUSING  | 001      |         |
|          |                 | <input type="checkbox"/> [008] Up to front axle: 7 001967             |          |         |
| 14       | A 460 280 00 82 | <b>BREATHER</b><br>Replaced by: A 343 264 00 89                       | -        |         |
| 14       | A 343 264 00 89 | <b>VALVE</b><br>AXLE HOUSING  | 001      |         |
|          |                 | <input type="checkbox"/> [010] As of front axle 7 001968              |          |         |
| 17       | A 460 331 50 84 | <b>FITTING</b><br>AXLE BREATHING                                      | 001      |         |
|          |                 | <input type="checkbox"/> [010] As of front axle 7 001968              |          |         |
| 20       | A 460 331 50 71 | <b>SCREW</b><br>AXLE BREATHING  | 001      |         |
|          |                 | <input type="checkbox"/> [010] As of front axle 7 001968              |          |         |
| 23       | N 007603 010107 | <b>SEAL RING</b><br>AXLE BREATHING                                    | 001      |         |
|          |                 | <input type="checkbox"/> [010] As of front axle 7 001968              |          |         |
| 26       | N 007603 012405 | <b>SEAL RING</b><br>AXLE BREATHING                                    | 001      |         |
|          |                 | <input type="checkbox"/> [010] As of front axle 7 001968              |          |         |
|          |                 | <b>LINE</b>   |          |         |

|    |                 |   |     |
|----|-----------------|---|-----|
| 29 | A 460 330 00 84 | <b>LINE</b><br>AXLE BREATHING   | 001 |
| 32 | N 009021 006205 | <b>WASHER</b><br><b>Replaced by:</b> N 009021 006208  | -   |
| 32 | N 009021 006208 | <b>WASHER</b><br>BREATHER LINE TO FRONT AXLE  | 001 |
| 35 | N 913002 006005 | <b>NUT</b><br><b>Replaced by:</b> N 913002 006009   | -   |
| 35 | N 913002 006009 | <b>NUT</b><br>BREATHER LINE TO FRONT AXLE   | 001 |
| 38 | A 460 330 00 21 | <b>COVER</b><br><b>Replaced by:</b> A 460 330 01 21<br>+001 A 460 280 00 82<br>+001 A 460 331 50 71<br>+001 A 460 331 50 84<br>+001 N 007603 010107<br>+001 N 007603 012111<br>☐ [008] Up to front axle: 7 001967 | -   |
| 38 | A 460 330 01 21 | <b>COVER</b><br>AXLE HOUSING<br>☐ [009, 025] As of front axle 7 001968  | 001 |
| 38 | A 601 350 50 21 | <b>COVER</b><br><b>Replaced by:</b> A 463 330 00 21   | -   |
| 38 | A 463 330 00 21 | <b>COVER</b><br>AXLE HOUSING<br>☐ [026] As of front axle 7 023947   | 001 |
| 41 | A 601 351 50 80 | <b>GASKET</b><br><b>Replaced by:</b> A 601 351 00 80  | -   |
| 41 | A 601 351 00 80 | <b>GASKET</b><br>COVER TO AXLE HOUSING  | 001 |
| 44 | N 914112 008014 | <b>SCREW</b><br><b>Replaced by:</b> N 914112 008032   | -   |
| 44 | N 914112 008032 | <b>SCREW</b><br>COVER TO AXLE HOUSING   | 010 |
| 47 | A 352 997 00 32 | <b>SCREW PLUG</b><br>OIL FILLING AND OIL DRAIN  | 002 |
| 50 | A 460 332 00 33 | <b>EXPANSION PLUG</b><br>KINGPIN  | 004 |
| 53 | A 000 981 59 05 | <b>TAPERED ROLLER BEARING</b><br>KINGPIN  | 004 |
| 56 | A 460 997 00 40 | <b>SEAL RING</b><br>KINGPIN   | 004 |
| 59 | A 460 337 00 53 | <b>SPACER TUBE</b><br>REAR AXLE TUBE<br>☐ [025] Up to front axle: 7 023946  | 002 |
| 62 | A 460 337 00 49 | <b>BUSHING</b><br>REAR AXLE TUBE<br>☐ [026] As of front axle 7 023947   | 002 |
| 65 | A 005 997 70 47 | <b>SEAL RING</b><br>REAR AXLE TUBE<br><b>Optional with:</b> A 005 997 71 47<br>☐ [025] Up to front axle: 7 023946   | 002 |
| 65 | A 005 997 71 47 | <b>SEAL RING</b><br><b>Replaced by:</b> A 005 997 70 47   | -   |
| 65 | A 005 997 70 47 | <b>SEAL RING</b><br>REAR AXLE TUBE<br><b>Optional with:</b> A 005 997 71 47<br>☐ [025] Up to front axle: 7 023946   | 002 |
| 65 | A 008 997 57 47 | <b>SEAL RING</b><br>REAR AXLE TUBE<br><b>Optional with:</b> A 009 997 28 47<br>☐ [026] As of front axle 7 023947  | 002 |
| 65 | A 009 997 28 47 | <b>SEAL RING</b><br>REAR AXLE TUBE<br><b>Optional with:</b> A 008 997 57 47<br>☐ [026] As of front axle 7 023947  | 002 |
| 68 | A 460 330 01 74 | <b>BRACKET</b><br>GASKET<br>☐ [003] Up to front axle: 7 000560  | 002 |
| 71 | A 460 332 00 80 | <b>GASKET</b><br>BALL<br>☐ [003] Up to front axle: 7 000560   | 002 |
| 74 | A 460 331 05 58 | <b>SEAL HOLDER</b><br>INSIDE<br>☐ [004] As of front axle 7 000561   | 002 |
| 77 | A 460 331 03 58 | <b>SEAL HOLDER</b><br>OUTSIDE<br>☐ [004] As of front axle 7 000561  | 002 |

|      |                 |  |     |   |
|------|-----------------|--|-----|---|
| 80   | A 460 331 02 58 | <b>CONSOLE</b><br><b>GASKET</b>  | 002 |   |
| 83   | A 460 331 01 80 | BALL<br>[004] As of front axle 7 000561  | 002 |   |
| 83   | A 460 331 03 80 | <b>GASKET</b><br>SPLIT   | 002 |   |
| 86   | A 460 331 00 80 | <b>GASKET</b><br>BALL<br>[004] As of front axle 7 000561   | 002 |   |
| 89   | N 000933 008145 | <b>SCREW</b><br>BRACKET TO HOUSING   | 014 |   |
| 92   | N 000125 008418 | <b>WASHER</b><br>Replaced by: N 000125 008443  | -   |   |
| 92   | N 000125 008443 | <b>WASHER</b><br>BRACKET TO HOUSING<br>[004] As of front axle 7 000561   | 002 |   |
| 95   | A 460 337 00 06 | <b>HOUSING</b><br>Replaced by: A 460 337 02 06<br>+001 A 460 330 04 25<br>+001 A 460 331 03 58<br>+001 A 460 331 05 58<br>+001 A 460 331 00 80<br>+001 A 460 331 01 80<br>+001 A 460 334 01 59<br>+001 A 007 997 03 47<br>+001 A 007 997 04 47<br>+001 N 000125 008418<br>+001 N 000933 008204<br>+001 N 000934 008013<br>+001 N 915016 030000<br>[003] Up to front axle: 7 000560 | -   |   |
| ---- | A 460 337 02 06 | <b>HOUSING</b><br>LEFT<br>[004, 013, 402] As of front axle 7 000561  | 001 |   |
| 95   | A 460 337 08 06 | <b>HOUSING</b><br>LEFT<br>[014] As of front axle 7 007726  | 001 |   |
| 95   | A 460 337 01 06 | <b>HOUSING</b><br>[003] Up to front axle: 7 000560   | 001 |   |
| ---- | A 460 337 03 06 | <b>HOUSING</b><br>RIGHT<br>[004, 013, 402] As of front axle 7 000561   | 001 |   |
| 95   | A 460 337 09 06 | <b>HOUSING</b><br>RIGHT<br>[014] As of front axle 7 007726   | 001 |   |
| 98   | A 601 997 03 35 | <b>PLUG</b><br>TO LOCK ANTI-LOCK BRAKING SYSTEM<br>SENSOR BORES<br>[022] USED WITHOUT BM 730.300, 301, 315, 319, 320, 321, 322,...   | 002 |   |
| 101  | A 460 337 03 15 | <b>THRUST RING</b><br>AT HOUSING<br>[014] As of front axle 7 007726  | 002 |   |
| 104  | A 460 330 05 46 | <b>STEERING ARM</b><br>RIGHT<br>[013] Up to front axle: 7 007725   | 001 | L |
| 104  | A 460 330 12 46 | <b>STEERING ARM</b><br>Replaced by: A 460 330 18 46<br>[052] FIRST EXHAUST STOCK OF OLD PARTS UP TO FRONT AXLE H 015974  | -   | L |
| 104  | A 460 330 18 46 | <b>STEERING ARM</b><br>RIGHT<br>[014, 053] As of front axle 7 007726   | 001 | L |
| 107  | A 460 330 08 46 | <b>STEERING ARM</b><br>LEFT<br>[013] Up to front axle: 7 007725  | 001 | L |
| 107  | A 460 330 09 46 | <b>STEERING ARM</b><br>Replaced by: A 463 330 00 46<br>[052] FIRST EXHAUST STOCK OF OLD PARTS UP TO FRONT AXLE H 015974  | -   | L |
| 107  | A 463 330 00 46 | <b>STEERING ARM</b><br>LEFT<br>[014, 053] As of front axle 7 007726  | 001 | L |
| 110  | A 000 991 34 41 | <b>CLAMPING PIN</b><br>STEERING ARM TO STEERING KNUCKLE<br>[014] As of front axle 7 007726   | 004 |   |
| 113  | N 914112 012011 | <b>SCREW</b><br>STEERING ARM TO STEERING KNUCKLE<br>[013] Up to front axle: 7 007725   | 008 |   |

|     |                 |  |     |
|-----|-----------------|--|-----|
| 113 | N 914112 014302 | <b>SCREW</b><br>Replaced by: A 652 990 11 04<br>[415] THIS NOTE OF REPLACEMENT APPLIES ONLY TO THE ITEM LIST...                          | -   |
| 113 | A 652 990 11 04 | <b>SCREW</b><br>Replaced by: A 000 990 72 04   | -   |
| 113 | A 000 990 72 04 | <b>SCREW</b><br>STEERING ARM TO STEERING KNUCKLE M<br>14X50<br>[014] As of front axle 7 007726   | 008 |
| 115 | A 460 332 01 52 | <b>SPACER WASHER</b><br>AS REQUIRED 0.40 MM<br>[013] Up to front axle: 7 007725  | 004 |
| 115 | A 460 332 13 52 | <b>SPACER WASHER</b><br>AS REQUIRED 0.40 MM<br>[014] As of front axle 7 007726   | 004 |
| 115 | A 460 332 03 52 | <b>SPACER WASHER</b><br>AS REQUIRED 0.50 MM<br>[013] Up to front axle: 7 007725  | 004 |
| 115 | A 460 332 15 52 | <b>SPACER WASHER</b><br>AS REQUIRED 0.50 MM<br>[014] As of front axle 7 007726   | 004 |
| 115 | A 460 332 05 52 | <b>SPACER WASHER</b><br>AS REQUIRED 0.60 MM<br>[013] Up to front axle: 7 007725  | 004 |
| 115 | A 460 332 17 52 | <b>SPACER WASHER</b><br>AS REQUIRED 0.60 MM<br>[014] As of front axle 7 007726   | 004 |
| 115 | A 460 332 07 52 | <b>SPACER WASHER</b><br>AS REQUIRED 0.70 MM<br>[013] Up to front axle: 7 007725  | 004 |
| 115 | A 460 332 19 52 | <b>SPACER WASHER</b><br>AS REQUIRED 0.70 MM<br>[014] As of front axle 7 007726   | 004 |
| 115 | A 460 332 09 52 | <b>SPACER WASHER</b><br>AS REQUIRED 0.80 MM<br>[013] Up to front axle: 7 007725  | 004 |
| 115 | A 460 332 21 52 | <b>SPACER WASHER</b><br>AS REQUIRED 0.80 MM<br>[014] As of front axle 7 007726   | 004 |
| 115 | A 460 332 11 52 | <b>SPACER WASHER</b><br>AS REQUIRED 0.90 MM<br>[013] Up to front axle: 7 007725  | 004 |
| 115 | A 460 332 23 52 | <b>SPACER WASHER</b><br>AS REQUIRED 0.90 MM<br>[014] As of front axle 7 007726   | 004 |
| 116 | N 000988 019009 | <b>FITTED WASHER</b><br>AS REQUIRED 0.30 MM  | 002 |
| 116 | A 463 990 02 40 | <b>FITTED WASHER</b><br>AS REQUIRED 0.35 MM  | 002 |
| 116 | A 463 990 03 40 | <b>FITTED WASHER</b><br>AS REQUIRED 0.40 MM  | 002 |
| 116 | A 463 990 04 40 | <b>FITTED WASHER</b><br>AS REQUIRED 0.45 MM  | 002 |
| 116 | N 000988 019010 | <b>FITTED WASHER</b><br>AS REQUIRED 0.50 MM  | 002 |
| 116 | A 463 990 05 40 | <b>FITTED WASHER</b><br>AS REQUIRED 0.55 MM  | 002 |
| 116 | A 463 990 06 40 | <b>FITTED WASHER</b><br>AS REQUIRED 0.80 MM  | 002 |
| 116 | N 000988 019002 | <b>FITTED WASHER</b><br>AS REQUIRED 1.00 MM  | 002 |
| 116 | N 000988 019011 | <b>FITTED WASHER</b><br>AS REQUIRED 1.20 MM  | 002 |
| 116 | N 000988 019000 | <b>FITTED WASHER</b><br>AS REQUIRED 1.50 MM  | 002 |
| 119 | A 460 332 00 06 | <b>KINGPIN</b><br>Replaced by: A 460 332 03 06<br>+008 N 914112 012005   | -   |
| 119 | A 460 332 03 06 | <b>KINGPIN</b><br>TOP<br>[013] Up to front axle: 7 007725  | 002 |
| 119 | A 460 332 01 06 | <b>KINGPIN</b><br>Replaced by: A 460 332 02 06<br>+004 N 914112 014008<br>[018] FIRST EXHAUST STOCK OF OLD PARTS FROM FRONT AXLE 7 00... | -   |

|     |                 |   |     |
|-----|-----------------|---|-----|
| 119 | A 460 332 02 06 | <b>KINGPIN</b><br>TOP<br>[014] As of front axle 7 007726  | 002 |
| 122 | A 460 420 06 86 | <b>BRACKET</b><br>Replaced by: A 460 420 08 86  | -   |
| 122 | A 460 420 08 86 | <b>BRACKET</b><br>Replaced by: A 463 420 00 86  | -   |
| 122 | A 463 420 00 86 | <b>BRACKET</b><br>LEFT BRAKE LINE   | 001 |
| 122 | A 460 420 07 86 | <b>BRACKET</b><br>Replaced by: A 460 420 09 86  | -   |
| 122 | A 460 420 09 86 | <b>BRACKET</b><br>Replaced by: A 463 420 01 86  | -   |
| 122 | A 463 420 01 86 | <b>BRACKET</b><br>RIGHT BRAKE LINE  | 001 |
| 125 | N 914112 012005 | <b>SCREW</b><br>Replaced by: A 652 990 18 04  | -   |
| 125 | A 652 990 18 04 | <b>SCREW</b><br>UPPER KINGPIN TO STEERING KNUCKLE<br>M 12X30<br>[013] Up to front axle: 7 007725                | 008 |
| 125 | N 914112 014013 | <b>SCREW</b><br>UPPER KINGPIN TO STEERING KNUCKLE<br>M 14X30<br>[019] As of front axle 7 007726                 | 008 |
| 125 | N 914112 014008 | <b>SCREW</b><br>Replaced by: A 652 990 20 04<br>[415] THIS NOTE OF REPLACEMENT APPLIES ONLY TO THE ITEM LIST... | -   |
| 125 | A 652 990 20 04 | <b>SCREW</b><br>Replaced by: N 914112 014024  | -   |
| 125 | N 914112 014024 | <b>SCREW</b><br>UPPER KINGPIN TO STEERING KNUCKLE<br>M 14X35<br>[020] As of front axle 7 013074                 | 008 |
| 128 | N 304017 008027 | <b>SCREW</b><br>STEERING STOP M 8X30  | 002 |
| 128 | N 900170 008018 | <b>SCREW</b><br>Replaced by: N 910105 008014  | -   |
| 128 | N 910105 008014 | <b>SCREW</b><br>STEERING STOP M 8X35; SA<br>20316/04/06   | 002 |
| 131 | N 910113 008001 | <b>NUT</b><br>STEERING STOP M 8   | 002 |
| 131 | N 006331 008001 | <b>NUT</b><br>STEERING STOP M 8; SA 20316/04/06   | 002 |
| 134 | N 915016 030000 | <b>SCREW PLUG</b><br>JOINT HOUSING M 30X1.5   | 002 |
| 134 | A 352 997 00 32 | <b>SCREW PLUG</b><br>JOINT HOUSING M 24X1.5   | 002 |
| 137 | A 385 584 70 24 | <b>UNIT IDENTIFICATION PLATE</b>  | 001 |
| 140 | A 385 990 00 96 | <b>RIVET</b><br>UNIT PLATE TO AXLE  | 002 |
| 143 | A 460 322 00 41 | <b>STIFFENING</b><br>REINFORCEMENT TO SPRING RETAINER   | 002 |