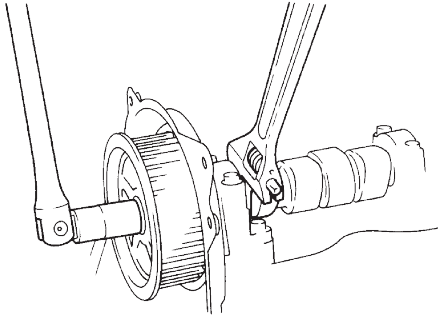


ROCKER ARM, FRONT OIL SEAL

Camshaft Pulley Installation Note

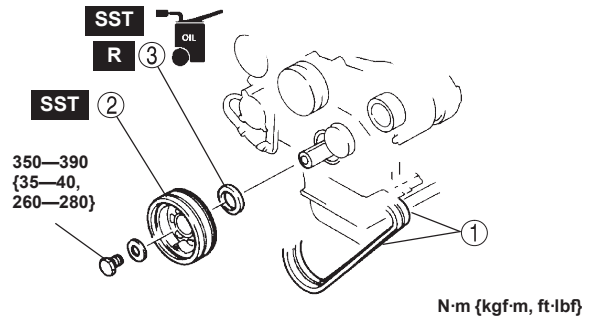
- Hold the camshaft by using a wrench on the cast hexagon and tighten the pulley lock bolt.



FRONT OIL SEAL

FRONT OIL SEAL REPLACEMENT

1. Disconnect the negative battery cable.
2. Drain the engine coolant. (Refer to Section E, COOLING SYSTEM SERVICE WARNINGS.) (Refer to Section E, ENGINE COOLANT, ENGINE COOLANT REPLACEMENT.)
3. Remove the upper radiator hose.
4. Remove the radiator cowl and cooling fan. (Refer to Section E, WATER PUMP, WATER PUMP REMOVAL/INSTALLATION.)
5. Remove in the order indicated in the table.
6. Install in the reverse order of removal.
7. Inspect the engine oil level.
8. Adjust the drive belt deflection. (Refer to DRIVE BELT, DRIVE BELT ADJUSTMENT.)



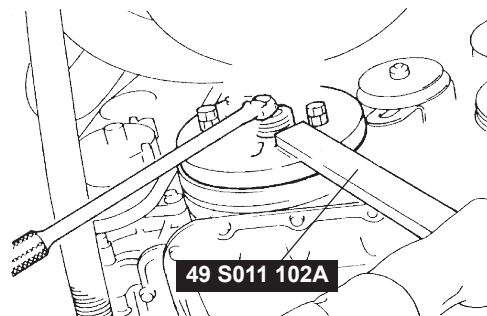
1	Drive belt
2	Crankshaft pulley + Removal Note + Installation Note
3	Front oil seal + Removal Note + Installation Note

Crankshaft Pulley Removal Note

- Hold the crankshaft by using the SST.

Caution

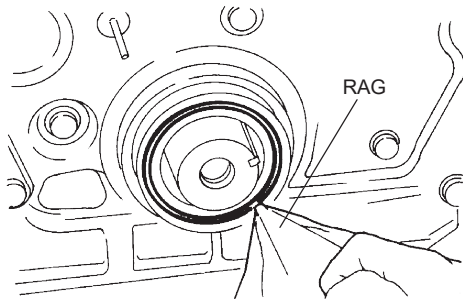
- Turning the crankshaft after the crankshaft pulley is removed can cause the timing gear to become dislocated.
- Removing the key can cause the key groove to become misaligned.



FRONT OIL SEAL, REAR OIL SEAL

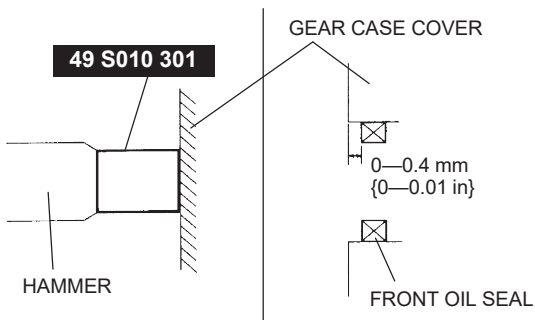
Front Oil Seal Removal Note

1. Cut the oil seal lip by using a razor knife.
2. Remove the oil seal by using a screwdriver protected with a rag.



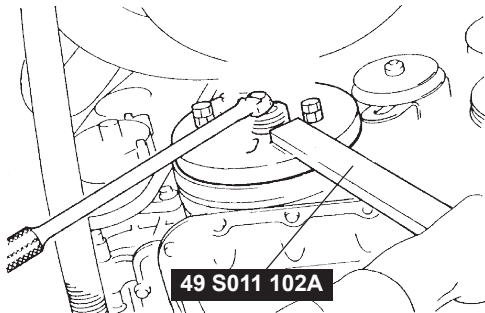
Front Oil Seal Installation Note

1. Apply clean engine oil to the new oil seal lip.
2. Push the oil seal slightly in by hand.
3. Tap the oil seal in evenly by using the SST and a hammer.
4. To ensure that the oil seal is installed accurately, measure the distance between the end of the gear case cover and the face of the front oil seal.



Crankshaft Pulley Installation Note

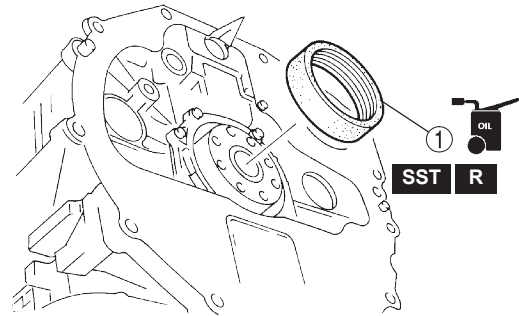
- Hold the crankshaft by using the SST.



REAR OIL SEAL

REAR OIL SEAL REPLACEMENT

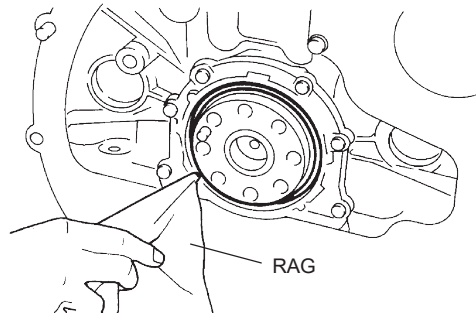
1. Disconnect the negative battery cable.
2. Remove the flywheel. (Refer to Section H, CLUTCH UNIT, CLUTCH UNIT REMOVAL/INSTALLATION.)
3. Remove in the order indicated in the table.
4. Install in the reverse order of removal.
5. Inspect the engine oil level. (Refer to Section D, ENGINE OIL, ENGINE OIL INSPECTION.)



1	Rear oil seal + Removal Note + Installation Note
---	--------------------------------------------------------

Rear Oil Seal Removal Note

1. Cut the oil seal lip by using a razor knife.
2. Remove the oil seal by using a screwdriver protected with a rag.



Rear Oil Seal Installation Note

1. Apply clean engine oil to the new oil seal lip.
2. Push the oil seal slightly in by hand.
3. Tap the oil seal in evenly by using the SST and a hammer.
4. To ensure that the oil seal is installed accurately, measure the distance between the end of the rear cover and the face of the rear oil seal.

