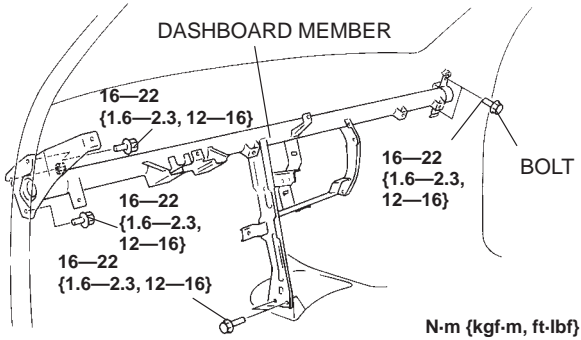


DASHBOARD AND CONSOLE

DASHBOARD MEMBER REMOVAL/INSTALLATION

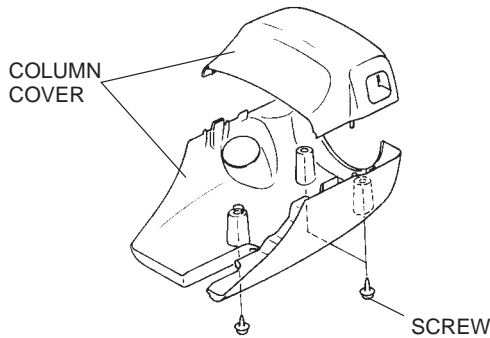
1. Remove the dashboard. (Refer to DASHBOARD REMOVAL/INSTALLATION.)
2. Remove the bolts, then remove the dashboard member.



3. Install in the reverse order of removal.

COLUMN COVER REMOVAL/INSTALLATION

1. Remove the screws, then remove the column cover.



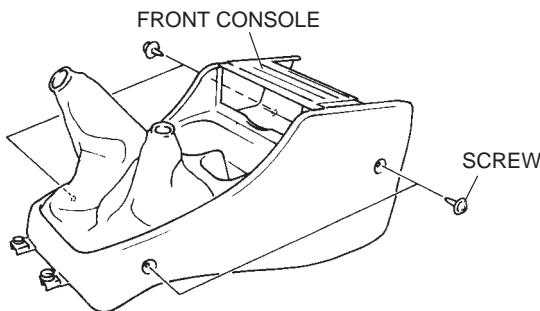
2. Install in the reverse order of removal.

FRONT CONSOLE REMOVAL/INSTALLATION

1. Remove the rear console.
2. For manual transaxle vehicle, remove the shift lever knob.
3. Remove the screws, then remove the front console.

Caution

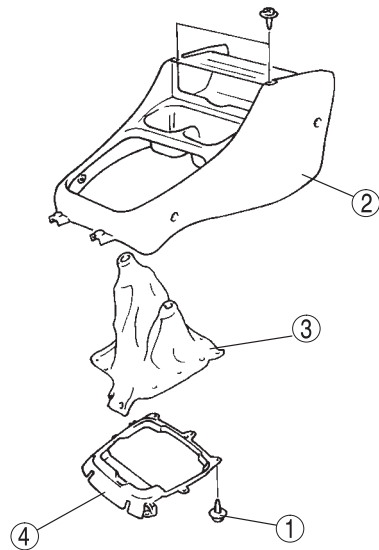
- In order to prevent noise caused by interference with the dashboard, install the screws to the rear of the front console before installing the front of the front console.



4. Install in the reverse order of removal.

FRONT CONSOLE DISASSEMBLY/ASSEMBLY

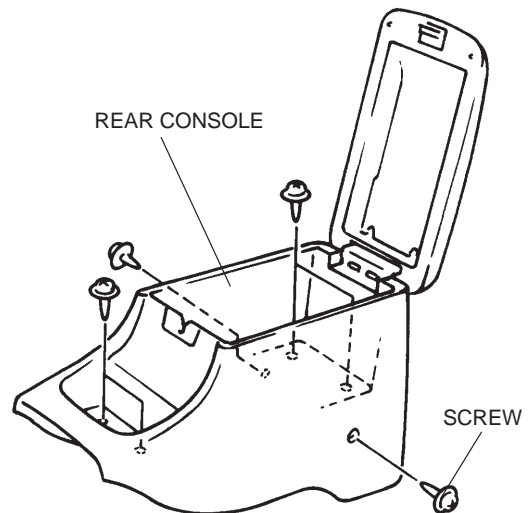
1. Disassemble in the order indicated in the table.
2. Assemble in the reverse order of disassembly.



1	Screw
2	Front console
3	Boot
4	Set plate

REAR CONSOLE REMOVAL/INSTALLATION

1. Remove the screws.
2. Pull the rear console upward, then remove it.



3. Install in the reverse order of removal.